

PRODUCT SPECIFICATION

PS-501T3

SPECIFICATIONS

Product information

Air volume 0~1000m³/h

Application area 80~150m²

Shell material Metal material

Weight 21.5 kg

Product size 730*450*280 mm

Noise ≤50 dB

Filter type High efficiency filter
Filter bag (optional)

Electrical

Rated Voltage 220V AC / 240V AC

Frequency 50 / 60 Hz

Power 150 W

Internal Fuse/overload safety protection design and Power dual protection

Ionization Tube

Quantity 1 pcs

Size 350 mm

Estimated Tube Life 17000 Hours

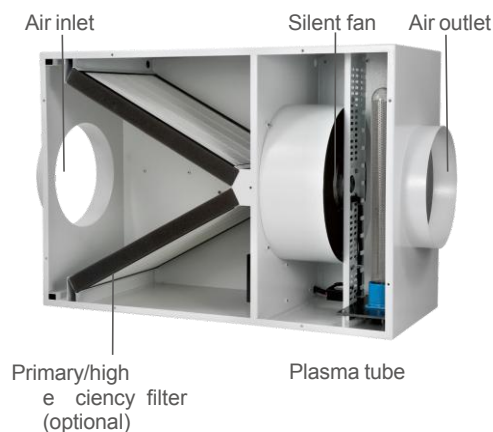
Material Various composite materials,
stainless steel outer mesh



APPLICATION

PS-501T3 Air plasma + fresh air disinfection machine is suitable for use in office buildings, restaurants, offices, schools, hospitals, nursing homes, public places, toilet basements, Internet cafes, commercial facilities, insufficient fresh air, enclosed spaces and prone to odor or bacteria Places, etc. The equipment will be commissioned and installed according to the recommendations of our Air engineers.

Optional accessories: remote control, ion quantity control system



Control Box (external)

